

ALL WEATHER IN CEILING SERIES

INSTALLATION GUIDE

GUIDE PRODUIT & INSTALLATION

MANUALE DEL PRODOTTO E DI INSTALLAZIONE

PRODUKT- UND INSTALLATIONSHANDBUCH

GUÍA DE INSTALACIÓN Y DEL PRODUCTO

GUIA DO PRODUTO E INSTALAÇÃO

PRODUCT- EN INSTALLATIEHANDLEIDING

产品和安装指南

РУКОВОДСТВО ПО УСТАНОВКЕ И ЭКСПЛУАТАЦИИ

インスタレーションガイド

دليل التركيب



Introduction

Born from the incredible success of the Custom Install and Climate ranges, the new All Weather In Ceiling Series has the same stealthy installation of our Custom Install ranges whilst offering a weatherproof construction for installation in more extreme environments such as the bathroom, garden, sauna or even boats.

In the All Weather In Ceiling Series you will find options for mono or stereo sound from an individual speaker, all featuring our core speaker technologies and as always, our renowned design and construction quality.

Painting the Grilles



NOTE: If choosing to paint the grille, we recommend you follow these simple steps:

1. Remove the membrane scrim from the inside of the grille.
2. Paint all grilles required for the installation with the same batch of paint (if they are to be the same colour). Spray paint is easier to apply or use a stippling action when brushing to avoid blocking the holes of the grille.
3. When dry, attach the spare membrane scrim (supplied) into the inside of the grille.
4. Fit the grille to the speaker (s).

Prior to Fitting the All Weather In Ceiling Series Speakers



CAUTION: These Custom Install loudspeakers can only be fixed into plasterboard (dry-lined) or suspended ceilings/ walls between 10mm (3/8") - 27mm (1^{1/16}"). Solid wall installation will require channelling out and frame work constructed to provide a structure for the Tri-Grip® dog legs to clamp to. For safety reasons, if you are unsure of your ability to provide a secure and safe fixing, do not attempt to fix these speakers, please obtain the services of a competent and qualified trades person.



CAUTION: Ensure that there are no water pipes or electricity cables running within the wall structure before cutting the speaker apertures. Work from secure steps and avoid trailing wires.

Over Tightening Warning

Attention installers:

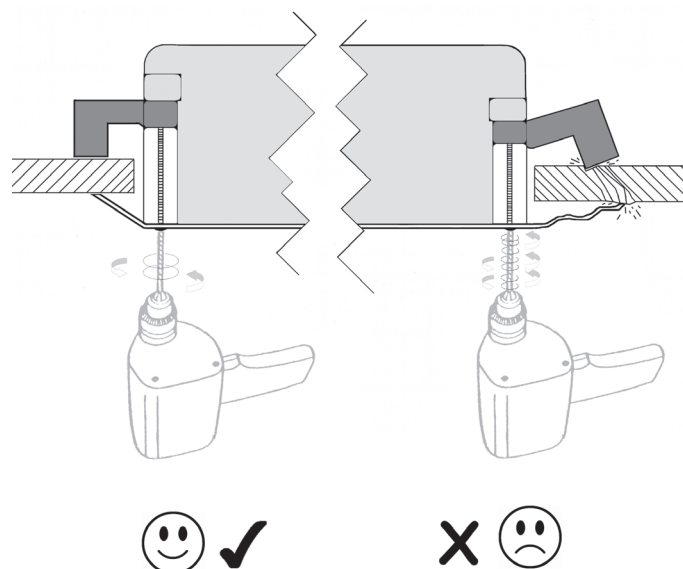
Do not over-tighten the Tri-Grip Dog Leg clamps. Over tightening the clamping mechanism on any in ceiling/ in wall speaker can result in damage to the speaker mounting hardware, ceiling/ wall or speaker frame, and/ or deflection in the speaker frame during installation.

If you notice any of the above during installation, you have over tightened the Tri-Grip dog leg. Back off the mounting screw until deflection is reduced to allow the product to sit firmly against the ceiling / wall.



Do not exceed 5Kgf/cm (4.34 lbf/inch.) or 0.5 NM when tightening the Tri-Grip dog leg screws.

When using a cordless screwdriver/ drill to install this product ensure the clutch is set to it's lowest setting to avoid from over-tightening and damaging the mounting hardware.



Speaker Controls

High Frequency Level Adjust

With the HF setting on the '0' position, the speaker will give you a neutral sound with no additional adjustments made. Switching to the '+3db' position will give the high frequencies a boost, giving you more clarity and presence in the treble while switching to the '-3db' will do the opposite. This position can be useful if you want more prominence in the bass frequencies.

NOTE: As with all audio, the settings you choose to use are subject to your own personal tastes and the affect your room has on the acoustics. Experimentation is strongly advised to find the best setting for you.

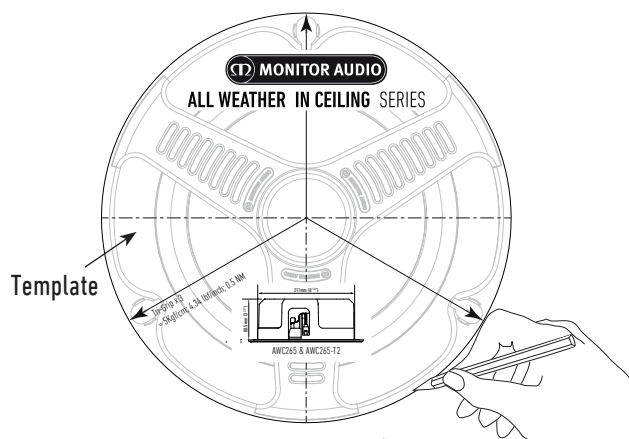
Guarantee

Both the craftsmanship and the performance of this product is guaranteed against manufacturing defects for the period of **five** years from the date of purchase (see conditions in the Important Safety Instructions booklet), provided that the product was supplied by an authorised Monitor Audio retailer under the consumer sale agreement.

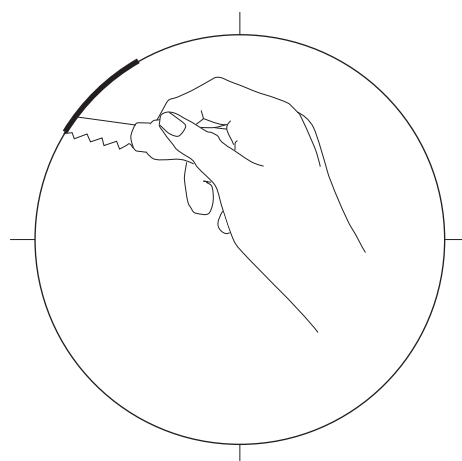
To verify your manufacturer's warranty, please visit the online registration form at: www.monitoraudio.com

Fitting the All Weather In Ceiling Series Loudspeakers

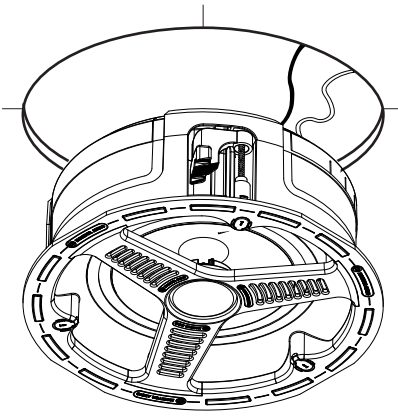
1 Draw around template and mark centre lines if necessary.



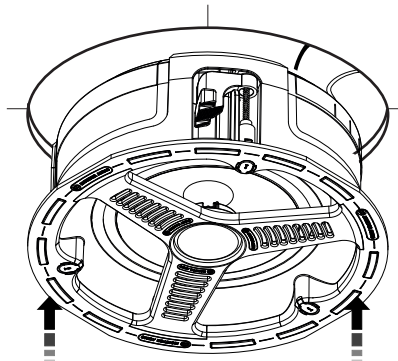
2 Cut around marked line.



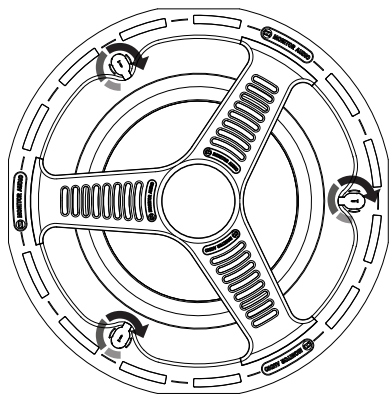
3 Connect speaker cables by pushing down on the terminals and clamping the bare wire in the through hole. Once connected close the protective cover.



4 Guide speaker into cut out.

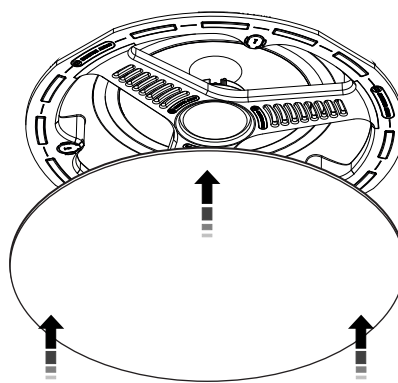


5 Tighten the 3 Tri-Grip screws and replace the protective screw covers.



See over tightening warning.

6 Fit grilles. They are held in place magnetically and should 'snap' into place.



In-Ceiling Specifications

	AWC265	AWC265-T2	AWC280	AWC280-T2
Frequency Response	60Hz - 30kHz	60Hz - 30kHz	50Hz - 30kHz	50Hz - 30kHz
Impedance	8 Ohms 4.4 Ohms @190Hz	8 + 8 Ohms 4.5 Ohms @185Hz	8 Ohms 4.5 Ohms @185Hz	8 + 8 Ohms 4.5 Ohms @185Hz
Sensitivity (1W@1m)	88dB	88dB (both channels driven)	89dB	89dB (both channels driven)
Maximum SPL	105.8dBA	105.8dBA	109dBA	109dBA
Power Handling (RMS)	60W	60W	100W	100W
Recommended Amp Requirements	20 - 60W	20 - 60W	20 - 100W	20 - 100W
Drive Unit Complement	1 x 6.5" C-CAM® bass driver. 1 x 1" (25mm) C-CAM® gold dome tweeter	1 x 6.5" C-CAM® bass driver. 2 x 1" (25mm) C-CAM® gold dome tweeter	1 x 8" C-CAM® bass driver. 1 x 1" (25mm) C-CAM® gold dome tweeter	1 x 8" C-CAM® bass driver. 2 x 1" (25mm) C-CAM® gold dome tweeter
Adjustment Controls	+3db / 0dB / -3dB High Frequency Level Switch Adjustable at the point of installation			
Termination	1 x (1 Pair) Gold plated push style terminals	2 x (2 Pairs) Gold plated push style terminals	1 x (1 Pair) Gold plated push style terminals	2 x (2 Pairs) Gold plated push style terminals
Overall Diameter (Including Grille)	251.5mm (9 7/8")		285 mm (11 1/4")	
Overall Depth	93.5mm (3 11/16")		102.5 mm (4 1/16")	
Cut Out Diameter	210mm (8 1/4")		247 mm (9 3/4")	
Mounting Depth	88mm (3 7/16")		97.55 mm (3 13/16")	
Fixing Type	3 Position Tri Grip® Dog Leg Fixings			
Construction Material	Mineral Filled PC-ABS Polymer (RoHS2 Compliant)			
Pre construction Bracket	CB6 (Purple)		CB8 (Green)	
Weight	2.14kg (4lb 12oz)		2.8kg (6lb 2oz)	
Operating Temp Range	-34 - 79°C; -29 - 174°F			
Certified for extreme climate conditions: ASTM-B117-11 (Anticorrosion-Salt Mist), ASTM-G154-12a (UV Test), IP55 (IEC/ CEE Water Splash (front), IP4X (IEC,CEE Water Splash (rear)).				

Monitor Audio reserves the right to alter specifications without notice.

Owner Information

Product Details

Model:

Product Serial No:

Date of Purchase:

Dealer Details

Dealer Name

Address

.....

E-mail address

Telephone Number



Monitor Audio Ltd.

24 Brook Road

Rayleigh, Essex

SS6 7XJ

England

Tel: +44 (0)1268 740580

Fax: +44 (0)1268 740589

Email: info@monitoraudio.co.uk

Designed and Engineered in the United Kingdom

Made in China

Version 1 2016