

EGOTERIC

Integrated Amplifier **F-01 / F-02**



The Finest Integration of Quality and Performance

The "Finest" Integrated Amplifier You Could Ever Want –
The new F Series integrated amplifiers are the culmination
of a range of technologies designed to fulfill your ideals.



F-01 Class A 30W+30W/8Ω

Incorporating all of the preamp and power amp developments from the flagship Grandioso "X" Edition, the new F Series integrated amplifiers deliver outstanding musicality that captures the rich textures of music in a single integrated amplifier. Despite the fact that the F Series is an integrated amplifier, it delivers a thorough quality and performance that will be the envy of all separate amp users. The F Series is the integrated amplifier that owners of Esoteric's K and N Series digital players have been waiting for, and it pushes the boundaries of integrated amplifier technology.



F-02 120W+120W/8Ω

Balanced Dual Mono Preamplifier

– Design Overview –

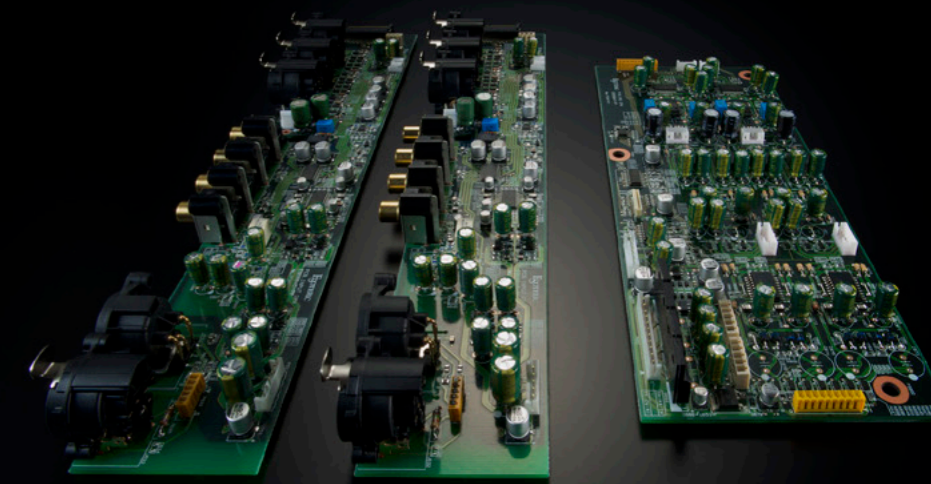


The F-01/F-02 has been significantly upgraded from the previous F Series in terms of both functionality and sound quality, incorporating a number of new technologies from the development of the flagship Grandioso C1X preamplifier. The large-scale, balanced dual mono preamp comparable to a separate preamp, comes standard with three ES-Link Analog inputs that allow our proprietary current-based signal input from the Esoteric K/N Series digital source players for a live listening experience as if monitored directly from a recording studio analog console. The new F Series also features a unique “Ultra Fidelity Attenuator System”, and the power supply section of the preamplifier has been further upgraded. Other key preamp features include a fully balanced headphone amplifier, dual mono phono stage preamp, and a high-quality 3-band balanced tone control.

The F-01/F-02 can also be expanded into a multi-amplifier system by connecting the S-05 power amplifier to the ES-Link Analog pre-outs. For even higher sound quality, an optional PS-01F external power supply dedicated to the preamp (to be announced) can be connected. This unique design, which seems to contradict the integrated concept, is a testament to the F-01/F-02’s high expandability and is the best proof that the built-in fully balanced dual mono preamp is designed with an uncompromising emphasis on quality.

Key Features – Preamp Section

- A fully balanced dual mono preamp in the direct line of the Grandioso C1X
- “Ultra Fidelity Attenuator System”, a stepped attenuator circuit developed by Esoteric
- Volume can be adjusted in 0.1dB/1,120* steps with our proprietary attenuator module “UFA-1792”
- 3 inputs of “ES-Link Analog”, a unique and proprietary current transmission system
- Two headphone outputs (balanced 4-pin XLR / unbalanced 6.3mm) with built-in fully balanced dual mono headphone amplifier
- Dual mono phono stage preamp (RCA x 1, MM/MC)
- 3-band balanced tone control, independently adjustable for each input source
- ES-Link Analog(x1) /XLR (x1) pre-out for connecting the S-05 as an external power amplifier
- Dedicated DC power connector for connecting the PS-01F external power supply dedicated to the built-in preamp (to be released later)
- Preamp gain can be adjusted in 4 steps (0/+6/+12/+18dB) to match the connected power amplifier



The left and right preamp input boards (left and center) and the preamp board (right) are completely independent.

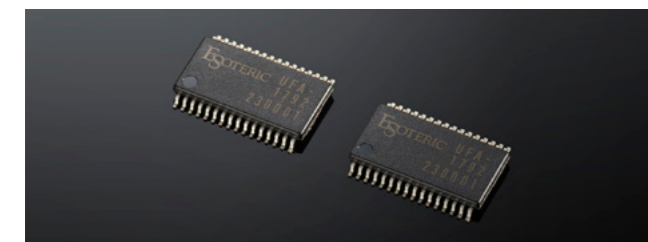
Balanced Dual Mono Preamplifier

– Unique Technologies –

Ultra Fidelity Attenuator System

In preamp design, the amplitude of the audio signal is proportional to the supply voltage of the active attenuator. In other words, a system with a low supply voltage will not allow sufficient amplitude of the audio signal, resulting in suppressed dynamic range and an unfavorable signal-to-noise ratio. The heart of the preamp, the attenuator circuit, features the “Ultra Fidelity Attenuator System” used in the Grandioso C1X. This proprietary Esoteric system is designed with a high supply voltage to maximize dynamics and greatly improve the signal-to-noise ratio. In addition, even though it is a stepped attenuator circuit, the 0.1dB/1,120 steps (more than 10 times the number of steps of a typical preamp) allow for silky smooth and detailed volume adjustment.

The UFA-1792 stepped attenuator module, is an Esoteric’s proprietary module designed with advanced and super modern process technology. In order to achieve the amazingly fine step of 0.1dB, the myriad of resistors inside are manufactured under the most stringent quality control. Esoteric engineers uncompromisingly examined all materials, circuit patterns, and layout, and created independent power / ground signal paths for each circuit block inside the module to achieve high performance and high sound quality, one of the benchmarks of modern preamp module design.



Powerful Power Supply That Determines Preamp Quality

It is no exaggeration to say that the quality of a preamp is determined by the quality of its power supply.

Following the philosophy of the Grandioso C1X, the power supply section has a separate power transformer winding and a rectifier board dedicated to the preamp to enhance sonic purity and driving power. In addition, the audio rectification circuit is completely independent of the logic control section to prevent noise contamination. The power rectifier uses our own Grandioso custom capacitors in a parallel configuration. Current can be charged/discharged to multiple capacitors in a time-differentiated manner, ensuring a stable and clean power supply to the preamp at all times. In addition, although the F-01 is an integrated amplifier, an external power supply, the PS-01F (TBA), can be connected to the built-in preamp, allowing users to enjoy sound quality close to that of the Grandioso C1X, which has a separate power supply.



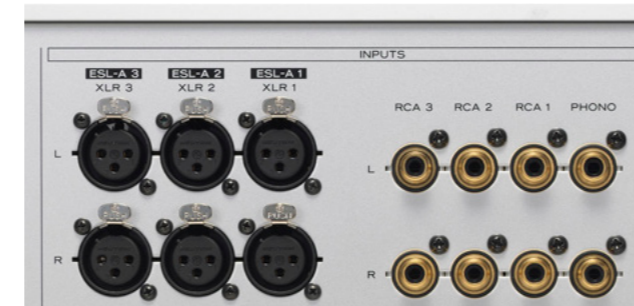
ES-Link Analog, a High-Quality Sound Current Transmission

ES-Link Analog is a unique current transmission method that eliminates the influence of cable impedance and maintains sound fidelity and quality, the most important factors in signal transmission. 3 XLR inputs can be switched between ES-Link Analog and standard XLR. The pre-outs are also equipped with two systems, ES-Link Analog and XLR, so that the ES-Link Analog connection can be used to complete the connection to the final stage of signal amplification.

ES-Link Analog – Esoteric’s Unique Current Transmission

Esoteric’s unique current transmission system “ES-Link Analog” is the ideal method for audio signal transmission. Compared to the conventional voltage transmission, it transmits approximately 100 times more current, making it less susceptible to noise and sending the full energy of the music to the amplifier.

Also, it is not affected by the impedance of the interconnects running between the source device and amplifier, so it maintains a perfect integrity between the output signal of the source and the input signal to the amplifier.



– Advanced Functionalities –

Ultra-Low Noise Logic Control

The logic control section, which controls operation and display, is located in the front panel and is isolated from the amplifier module. The connection to the preamp section uses a photocoupler that converts the control signal to an optical signal and transmits it, and isolators are used to provide physical and electrical isolation. In addition, the CPU is completely shut down except during operation, so as not to interfere with the circuits that handle the audio signals. The volume setting is automatically reset to zero when the power is turned off, and automatically returns to the original setting when the power is turned on, eliminating the need to adjust the volume when the power is turned on or off. Other features include fade-out/fade-in of the music signal when switching inputs. Our goal was to create a high-quality user interface that is elegant and fun to use.

Loss-Less Input Switching

The music signal input switching has been changed from the conventional mechanical relay system to a FET element switch. This eliminates the effects on sound quality caused by the rare metals used in the contact points, the operating noise, and the degradation of sound quality over time that were unavoidable with mechanical relays. The result is a pure tone with the transparency required of a high-end preamp.

Balanced Dual Mono Headphone Amplifier

The headphone amplifier is a major evolution from the previous F Series. To respond to new listening styles with exceptional reproduction quality, Esoteric has concentrated its amplifier design technology and wisdom to achieve the highest peak. The circuit

design is a fully balanced dual mono design that follows the linestage preamp design, with a balanced output (4-pin XLR) and an unbalanced outputs (6.3mm). With its fully balanced power output of 600mW (into a 32Ω load), this superlative headphone amplifier powerfully drives high impedance headphones with plenty of headroom to spare. The amplifier gain can be also adjustable from 0 to +18dB with 3dB increments to match with the connected headphones.



3-Band Balanced Tone Control (Treble / Middle / Bass)

The tone control is configured with a balanced dual mono circuit, focusing on the quality as a high-end device. Sound quality can be adjusted without worrying about sound degradation. The tone control can be separately preset for each input source. Treble and bass can be finely adjusted without significantly degrading the original sound of the source by shifting the center frequency of variable bandwidths to a higher/lower point (14kHz /63Hz) than usual, assuming a combination with wide-range high-end speakers. Precise control is possible in 0.5dB steps with a maximum range of ±12dB. The middle band (630Hz) can also be utilized as a loudness preset when set to the minus side and used in conjunction with the tone bypass mode.

Dual Mono Phono Stage Preamp

The F-01/F-02 also responds to analog playback with quality, featuring dual mono phono stage preamp (MM/MC) with independent L/R circuits. The left and right power supplies are also independent, ensuring perfect channel separation.

High-Precision Ball Bearing Control Knobs

The volume and input selector use the same bearing mechanism as the Grandioso preamp. You can enjoy a smooth, analog feel with no core shake. The large volume/selector knob, which symbolizes the powerful drive capability of this integrated amplifier, is machined from solid aluminum, sparing no expense. The fine machined texture, which varies from surface to surface, beautifully accentuates the design and enhances the sense of luxury. The volume and input select knob also function as mute and power switches, respectively, and the number of buttons on the front panel has been kept to a minimum in pursuit of a minimalist aesthetic.



Dual Mono Power Amplifier

- Design Overview -



With the birth of the flagship Grandioso M1X and S1X amplifiers, the Esoteric amplifier design platform has been completely renewed. The M1X monoblock and S1X Class A stereo amplifiers have captivated audiophiles around the world with their transparent, detailed and dynamic sound, and have become the new icons of high-end amplification. The power amplifier section of the F-01/02 follows the circuit design concept of the S1X/M1X, with the F-01 being a 30 WPC Class A design and the F-02 being a 120 WPC high-power design.

For amplifiers, the size of the power supply circuit is the most important point that directly affects the performance. Both F-01 and F-02 are configured with dual monaural power supplies for all stages of the power rectification and smoothing circuits, and are equipped with a huge 940VA EI core power transformer, comparable to that of separate amplifiers. In addition, the “subtractive aesthetics” of advanced engineering cultivated in the M1X/S1X amplifiers is reflected in every detail of the amplifier design, including a simple and straightforward circuit design for rich harmonic (overtone) reproduction and powerful speaker drive capability through reduced internal impedance. The new F Series is designed to be the pinnacle of quality in terms of drive capability and sound quality, as good as separate power amplifiers.

Key Features of Power Amplifier Section

- Simple and straightforward circuit design concept based on Grandioso M1X and S1X
- F-01: Class A 30 WPC/8Ω, F-02: 120 WPC/8Ω
- Excellent power linearity and driving power (F-01: 60 WPC/4Ω, F-02: 240 WPC/4Ω)
- All stages of the power rectification and smoothing circuit are configured with dual monaural design
- Powerful bipolar transistor 3-parallel push-pull configuration
- Huge 940VA EI core power transformer
- Channel-independent Grandioso grade custom block capacitors (10,000μF x 4/ch)
- Custom wave-shaped heat sinks to reduce peak resonance



Dual Mono Power Amplifier

- Unique Technologies -

Substantial Power Supply Comparable to a Separate Amplifier

The power supply is the most important component in realizing a rich sound stage for amplifiers that constantly require large amounts of current, and the F-01/F-02 boasts extremely dynamic musical expression thanks to a unique power supply design that incorporates a great deal of Esoteric's expertise.



Large Bare-Mount Power Supply Transformer

The F Series uses the largest EI transformer that can be installed. By using a transformer that is much larger than the product originally requires to meet its output power, the F Series is able to follow dynamic changes in the power supply extremely well, resulting in a dynamic and open sound. In addition, suppressing transformer vibration also suppresses current flow. For this reason, the transformer is bare-mounted without a housing.

Power Rectification Circuit in Dual Mono Configuration

Unless the sound source is monaural, the left and right music signals are different. The power rectification circuits are dual mono, independent of the left and right channels, to avoid mutual interference and achieve clear channel separation and resolution.

Multiple Capacitors Connected in Parallel

Special attention is also paid to the power supply rectification system. High quality custom capacitors of Grandioso grade are used. A dual mono and parallel configuration of four 10,000 μ F capacitors per channel is used. The capacitors are operated in parallel by time difference to stabilize the current charging and discharging to the capacitors, thus ensuring the required large current supply at all times.

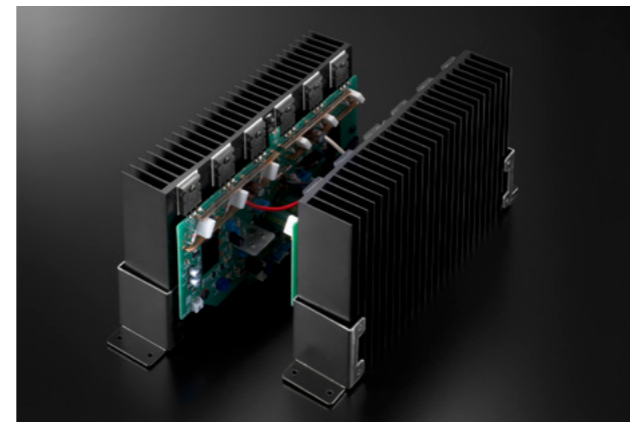
Less Is More

In the F Series, the signal path from the preamp to the power amplifier is as short as possible, and the bipolar transistor 3-parallel push-pull amplifier circuit is remarkably simple.

The phase compensation circuit is a minimal single-pole configuration, and the output stage is a coil-less design. By minimizing NFB (negative feedback), the circuit enhances the dynamics of the music. The minimalist circuit philosophy allows the harmonics (overtones), which are the most important but easily lost in the signal chain, to be preserved and the music to be reproduced like a real sound.

Amplifiers generate a lot of heat, and internal temperature stability is extremely important. For this reason, we have optimized the location

and circuitry of the temperature compensation circuit to stabilize the temperature of the entire amplifier block. This helps to speed up the stabilization of the idle current after the power is turned on and allows the transistors to operate at their best performance.

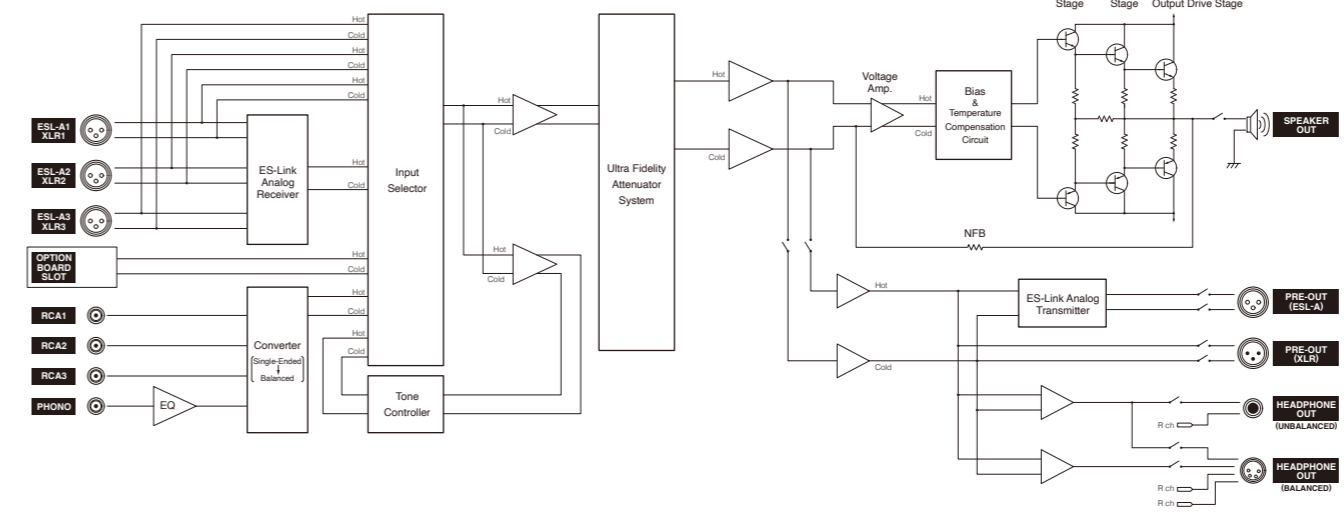


Low Impedance

A 105 μ m thick-walled copper conductor is used for the substrate tracks, which are key to internal signal transmission quality. The eight bus bars in the power stage are luxuriously made of 1.0 mm high-purity OFC material. Important wiring from the primary side to the power supply section, drive stage, etc., is connected with ultra-thick cables with screw connections to eliminate connector losses. MOS FET switches without mechanical contacts are used in the speaker output section. Every detail has been carefully designed to reduce internal impedance. As a result, the amplifier is able to handle even large-diameter woofers, and has an excellent driveability that easily reaches the limit of the low-frequency range.

Mechanical Perfection

To achieve the single design goal of "reproducing the master sound," the F-01 chassis optimally controls all vibrations that affect sound quality. The mechanical engineering of the F-01 is like that of a Formula 1 racing car, with the balance between rigidity and flexibility pushed to the limit. The heavy construction with a total mass of 32 kg, which is unprecedented for an integrated amplifier, shows the fullness and completeness of the product. The enclosure, which requires rigidity, makes extensive use of aluminum blocks to ensure non-resonance. On the other hand, the top panel has a semi-floating structure for an open sound. Esoteric's unique patented isolation foot, which integrates a spike and a saucer, also has a special structure to reduce mechanical stress. In addition, the large heat sinks of the amplifier block have a unique wave shape that disperses the peak resonance of the fins.



Flexible System Upgradability

Achieving a level of perfection in the separate amplifier class, the F Series can be used in a variety of system upgrades that go beyond the limits of an integrated amplifier. By connecting the S-05 class A amplifier to the pre-outputs (XLR/ES-Link Analog), a multi-amplifier system can be built. To improve the quality of the preamp, an external power supply, the PS-01F, can be added. There is also a slot for adding an option board. Two option boards for the previous generation F Series models (DAC board OP-DAC1 and ES-Link Analog input board OP-ESLA1) are compatible with this slot.

Other Features

- Independently adjustable input gains (± 18 dB; 0.1dB steps)
- L/R channel balance (0.1dB steps)
- AV through output (volume bypass) ensures seamless coexistence with AV systems
- Aluminum body remote controller (RC-1339) can also be used to operate Esoteric's SACD players and network players
- Displayed source device names can be programmed
- Mute, dimmer and automatic display-off functions
- Control functions (RS-232C, trigger input / output)





F-01
Class A Integrated Amplifier



F-02
Integrated Amplifier



Rear panel
(F-01/F-02)



Double-face remote RC-1339 included
(F-01/F-02)

Speaker Output:	(F-01) 30W+30W(8Ω), 60W+60W(4Ω) (F-02) 120W+120W(8Ω), 240W+240W(4Ω)
Compatible Speaker Impedance:	4Ω
Analog Audio Inputs:	ES-Link Analog/XLR ×3 pairs, RCA ×3 pairs, PHONO ×1 pair (MM/MC)
Analog Audio Output:	ES-Link Analog ×1 pair, XLR×1 pair
Headphone Outputs:	Standard 6.3mm (¼) stereo jack ×1, 4-pin XLR jack ×1
Maximum Effective Output:	300mW+300mW (Unbalanced, into 32Ω), 600mW+600mW (Balanced, into 32Ω)
Applicable Load Impedance:	16 to 600Ω (Unbalanced), 32 to 600Ω (Balanced)
Frequency Response:	10Hz to 100kHz (+0dB/-3dB, 1W output)
S/B Ratio:	(F-01) 104dB (IHF-A) (F-02) 110dB (IHF-A)
THD:	(F-01) 0.008% (1kHz, 8Ω, 30W) (F-02) 0.008% (1kHz, 8Ω, 120W)
Damping factor:	500
Gain:	Max.18dB (Preamp, adjustable, when volume at maximum), 28.5dB (Power amplifier)
Tone Control:	±12dB (Bass, 63Hz), ±12dB (Middle, 630Hz), ±12dB (Treble, 14kHz)
Power Supply:	120V AC 60Hz, 230V AC 50Hz
Power Consumption:	(F-01) 250W, 215W (no signal) (F-02) 280W, 110W (no signal)
Standby Power:	0.3W (when RS-232C is OFF), 0.6W (when RS-232C is ON)
Overall Dimensions:	445 × 191 × 471 mm (W×H×D, including protrusions)
Weight:	(F-01) 32.2kg (F-02) 32.4kg



PS-01F

Optional External Power Supply Unit
(to be released at a later date)

- These products are available in two different power supply variations as shown in the chart above. Make sure that the voltage shown on the rear panel matches the AC line voltage in your area.
- The shape of the AC inlet and plug of the supplied power cord depends on the voltage rating and destination country.

Please note that not all models are available in every country. Design and specifications subject to change without notice.
©2023 Esoteric Company. All Rights Reserved. All text, images, graphics and other materials on this brochure are subject to the copyright and other intellectual property rights of Esoteric Company. These materials shall not directly or indirectly be published, reproduced, modified or distributed in any medium. Esoteric is a trademark of TEAC Corporation, registered in the U.S. and other countries. Grandioso is a trademark of TEAC Corporation. All other brand or product names are trademarks or registered trademarks of their respective holders.

ESOTERIC COMPANY

1-47, Ochiai, Tama-shi, Tokyo Japan 206-8530
<https://www.esoteric.jp/en>



Authorized Dealer